



# Rear Child Basket - multi - MOUNTING INSTRUCTIONS

veloe.eu/manuals

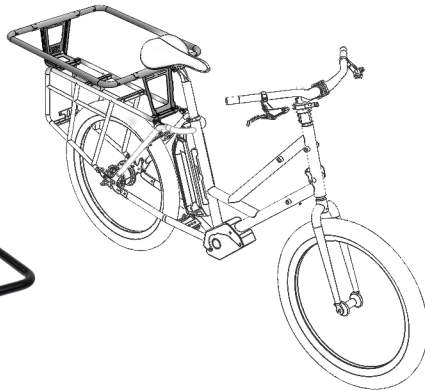
**Tools: allen key no.3,5  
wrench no. 8,10**

## SIDE

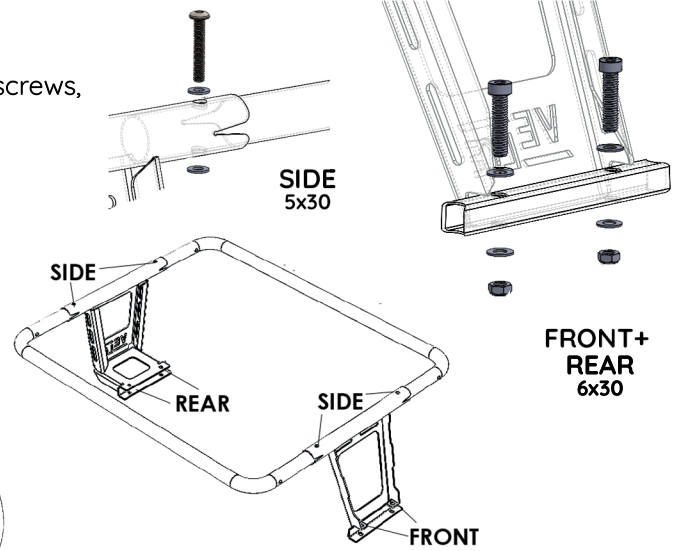
4 pcs 5x30 screws  
4 pcs washers  
4 pcs nuts

## FRONT + REAR

4 pcs 6x30 screws  
8 pcs washers  
4 pcs nuts



1. Position all side, rear and front screws, washers and nuts as shown
2. Tighten with proper tools



In case of doubt contact your Veloe® retailer for a safe and comfortable ride

© veloe

more accessories at veloe.eu



# Rear Child Basket - multi - MOUNTING INSTRUCTIONS

veloe.eu/manuals

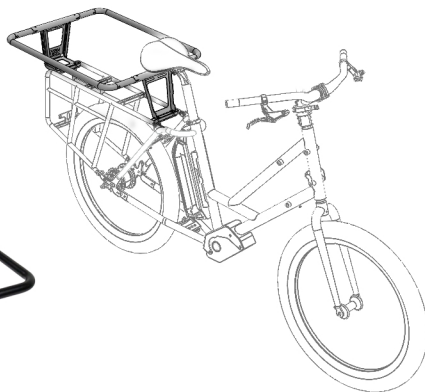
**Tools: allen key no.3,5  
wrench no. 8,10**

## SIDE

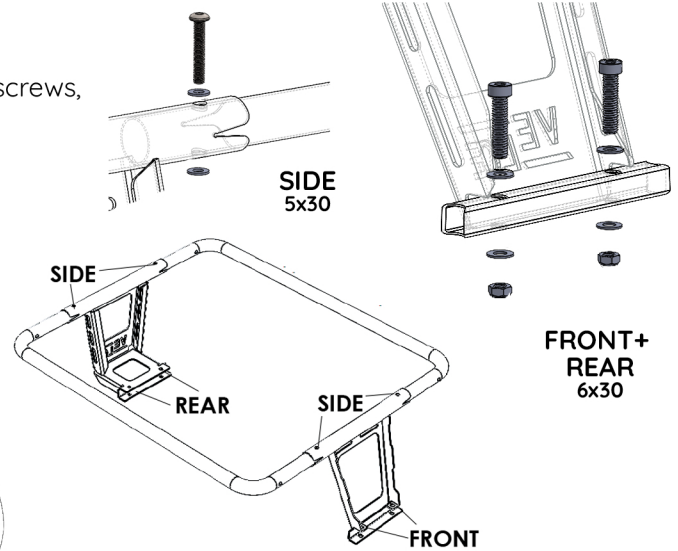
4 pcs 5x30 screws  
4 pcs washers  
4 pcs nuts

## FRONT + REAR

4 pcs 6x30 screws  
8 pcs washers  
4 pcs nuts



1. Position all side, rear and front screws, washers and nuts as shown
2. Tighten with proper tools



In case of doubt contact your Veloe® retailer for a safe and comfortable ride

© veloe

more accessories at veloe.eu



# Rear Child Basket - multi - MOUNTING INSTRUCTIONS

veloe.eu/manuals

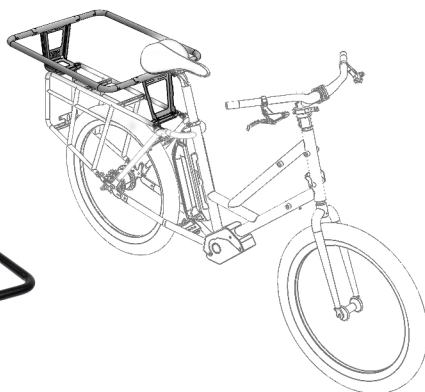
**Tools: allen key no.3,5  
wrench no. 8,10**

## SIDE

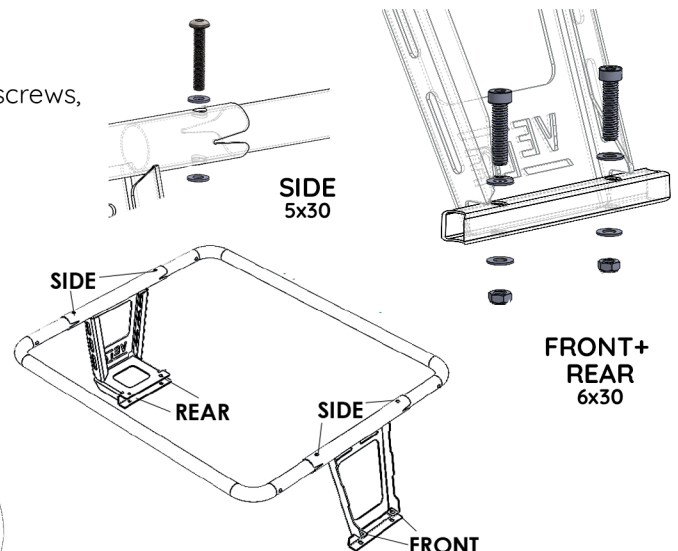
4 pcs 5x30 screws  
4 pcs washers  
4 pcs nuts

## FRONT + REAR

4 pcs 6x30 screws  
8 pcs washers  
4 pcs nuts



1. Position all side, rear and front screws, washers and nuts as shown
2. Tighten with proper tools



In case of doubt contact your Veloe® retailer for a safe and comfortable ride

© veloe

more accessories at veloe.eu