

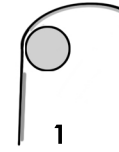
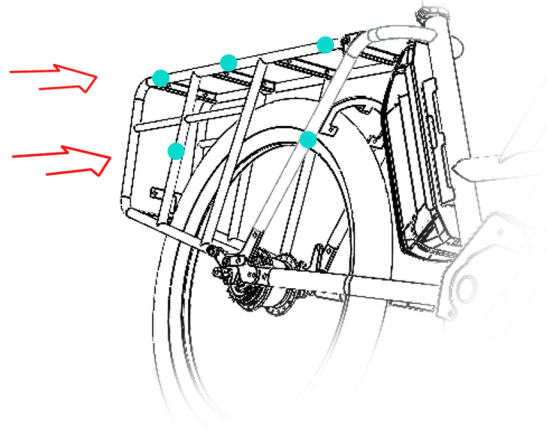


One-side Bag - MOUNTING INSTRUCTIONS

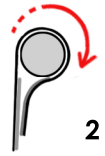
veloe.eu/manuals

No tools needed!

fix all **velcro straps**, as shown,
with rear rack and bike tubings



1. Fold upper
velcro strap
around the tube



2. Tighten
on lower strap

In case of doubt contact your Veloe® retailer for a safe and comfortable ride

© veloe

more accessories at veloe.eu

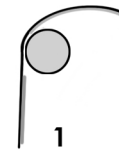
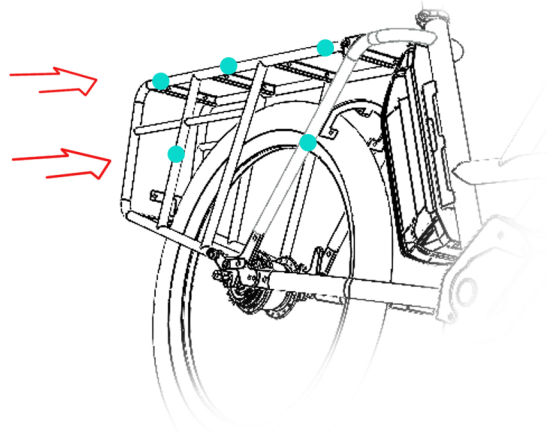


One-side Bag - MOUNTING INSTRUCTIONS

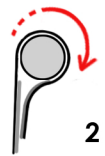
veloe.eu/manuals

No tools needed!

fix all **velcro straps**, as shown,
with rear rack and bike tubings



1. Fold upper
velcro strap
around the tube



2. Tighten
on lower strap

In case of doubt contact your Veloe® retailer for a safe and comfortable ride

© veloe

more accessories at veloe.eu

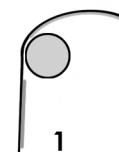
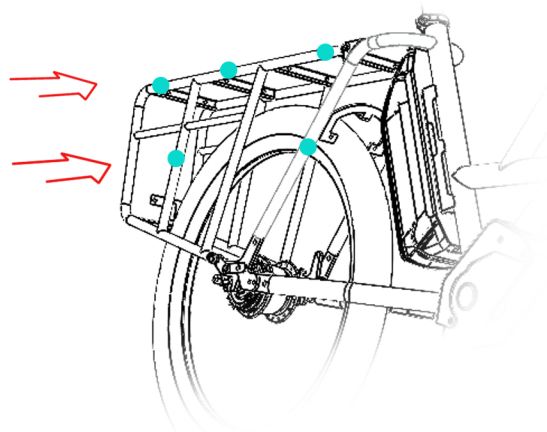


One-side Bag - MOUNTING INSTRUCTIONS

veloe.eu/manuals

No tools needed!

fix all **velcro straps**, as shown,
with rear rack and bike tubings



1. Fold upper
velcro strap
around the tube



2. Tighten
on lower strap

In case of doubt contact your Veloe® retailer for a safe and comfortable ride

© veloe

more accessories at veloe.eu