

Rain Cover - MOUNTING INSTRUCTIONS

veloe.eu/manuals

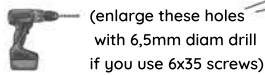
TOOLS: allen key no.3 and no.4, wrench no.8 and no.10

FRONT:

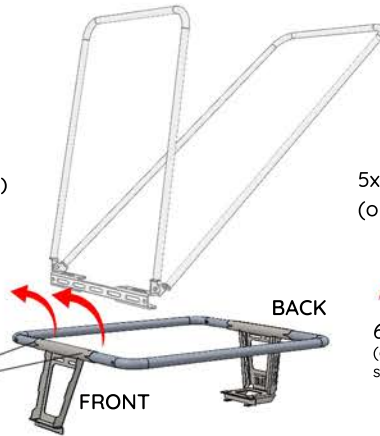
- 2 pcs 5x40 screws
- 2 pcs 6x35 screws
- 6 pcs washers
- 2 pcs M5 self locking nuts
- 4 pcs M6 self locking nuts (2 optional)
- (2 pcs 6x40 for enlarged holes, included)

BACK:

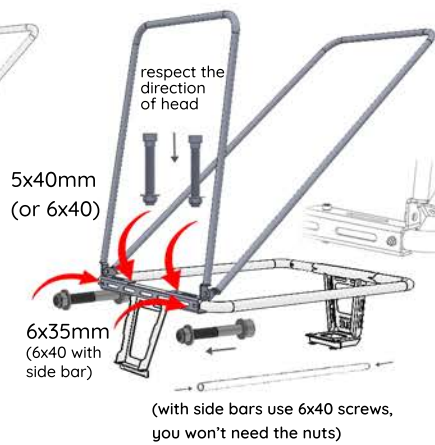
- 2 pcs normal 6x30 screws
- 2 pcs M6 blind nuts
- 2 pcs washers
- (2 pcs 6x40 screws for side bars, included)



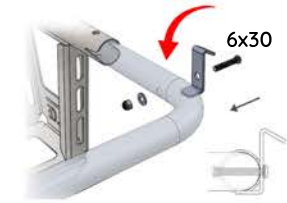
1. Remove 5 x 30 screws from front bracket of child basket



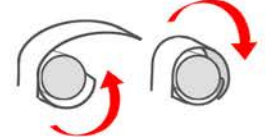
2. Insert canopy system on the front part of child seat, and insert all screws as shown. put washer and nut facing outside, tighten



3. Insert 6x 35 screws and the hook the in the rear part of child basket as shown



4. fit the textile part on top of the metal structure by opening the zips and fixing all velcros as shown



In case of doubt contact your Veloe® retailer for a safe and comfortable ride

© veloe

more accessories at veloe.eu

Rain Cover - MOUNTING INSTRUCTIONS

veloe.eu/manuals

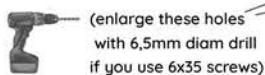
TOOLS: allen key no.3 and no.4, wrench no.8 and no.10

FRONT:

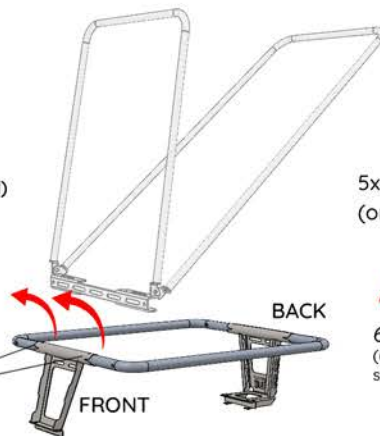
- 2 pcs 5x40 screws
- 2 pcs 6x35 screws
- 6 pcs washers
- 2 pcs M5 self locking nuts
- 4 pcs M6 self locking nuts (2 optional)
- (2 pcs 6x40 for enlarged holes, included)

BACK:

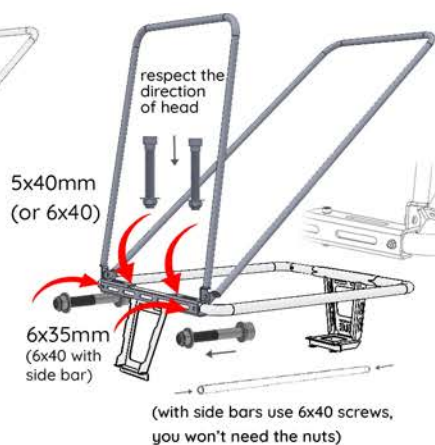
- 2 pcs normal 6x30 screws
- 2 pcs M6 blind nuts
- 2 pcs washers
- (2 pcs 6x40 screws for side bars, included)



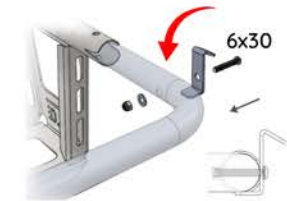
1. Remove 5 x 30 screws from front bracket of child basket



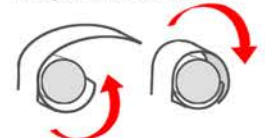
2. Insert canopy system on the front part of child seat, and insert all screws as shown. put washer and nut facing outside, tighten



3. Insert 6x 35 screws and the hook the in the rear part of child basket as shown



4. fit the textile part on top of the metal structure by opening the zips and fixing all velcros as shown



In case of doubt contact your Veloe® retailer for a safe and comfortable ride

© veloe

more accessories at veloe.eu

Rain Cover - MOUNTING INSTRUCTIONS

veloe.eu/manuals

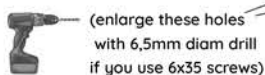
TOOLS: allen key no.3 and no.4, wrench no.8 and no.10

FRONT:

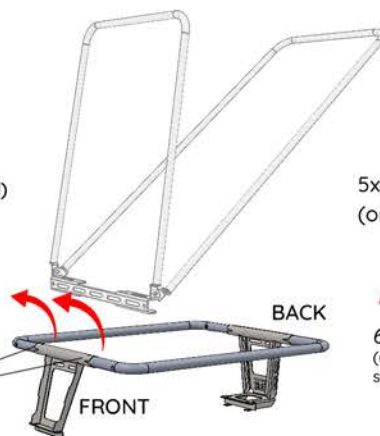
- 2 pcs 5x40 screws
- 2 pcs 6x35 screws
- 6 pcs washers
- 2 pcs M5 self locking nuts
- 4 pcs M6 self locking nuts (2 optional)
- (2 pcs 6x40 for enlarged holes, included)

BACK:

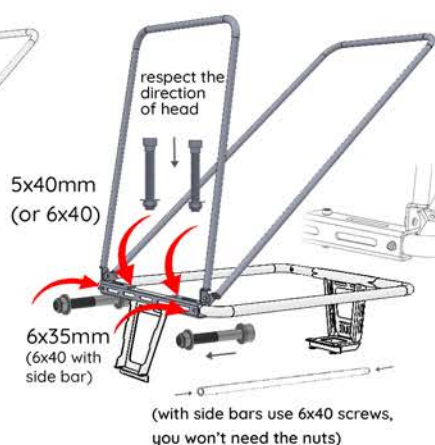
- 2 pcs normal 6x30 screws
- 2 pcs M6 blind nuts
- 2 pcs washers
- (2 pcs 6x40 screws for side bars, included)



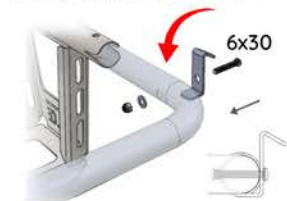
1. Remove 5 x 30 screws from front bracket of child basket



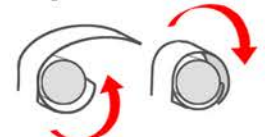
2. Insert canopy system on the front part of child seat, and insert all screws as shown. put washer and nut facing outside, tighten



3. Insert 6x 35 screws and the hook the in the rear part of child basket as shown



4. fit the textile part on top of the metal structure by opening the zips and fixing all velcros as shown



In case of doubt contact your Veloe® retailer for a safe and comfortable ride

© veloe

more accessories at veloe.eu