



Rear Panel V3 - lungo - MOUNTING INSTRUCTIONS

veloe.eu/manuals

Tools: allen key no. 3
wrench no. 8

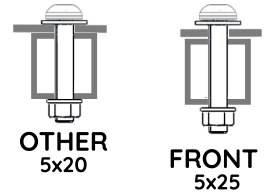
FRONT

2 pcs 5x25 screws
2 pcs washers
2 pcs nuts

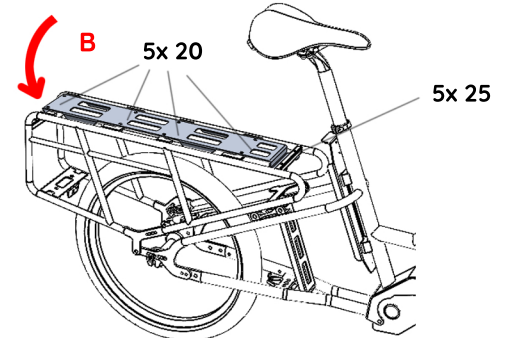
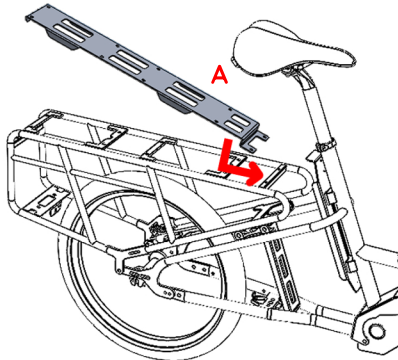
OTHER

8 pcs 5x20 screws
8 pcs washers
8 pcs nuts

1. Position Panel as shows A+B (75kg goes in front)
2. Position the 4 rear and front screws, washers and nuts
3. Position also central and rear screws and tighten all



REAR



In case of doubt contact your Veloe® retailer for a safe and comfortable ride

© veloe

more accessories at veloe.eu



Rear Panel V3 - lungo - MOUNTING INSTRUCTIONS

veloe.eu/manuals

Tools: allen key no. 3
wrench no. 8

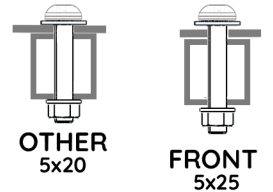
FRONT

2 pcs 5x25 screws
2 pcs washers
2 pcs nuts

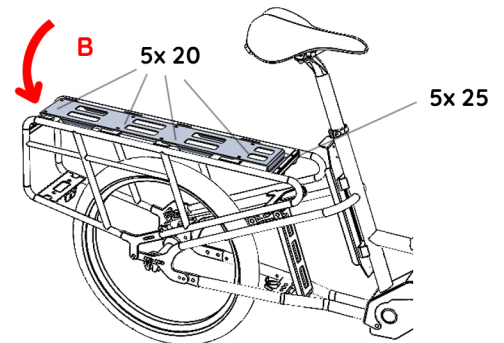
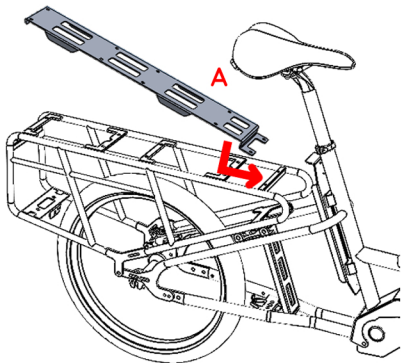
OTHER

8 pcs 5x20 screws
8 pcs washers
8 pcs nuts

1. Position Panel as shows A+B (75kg goes in front)
2. Position the 4 rear and front screws, washers and nuts
3. Position also central and rear screws and tighten all



REAR



In case of doubt contact your Veloe® retailer for a safe and comfortable ride

© veloe

more accessories at veloe.eu



Rear Panel V3 - lungo - MOUNTING INSTRUCTIONS

veloe.eu/manuals

Tools: allen key no. 3
wrench no. 8

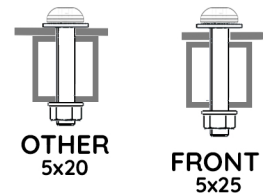
FRONT

2 pcs 5x25 screws
2 pcs washers
2 pcs nuts

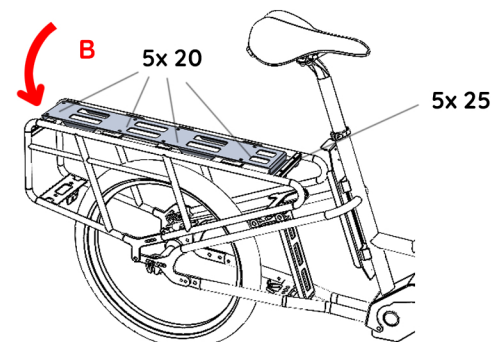
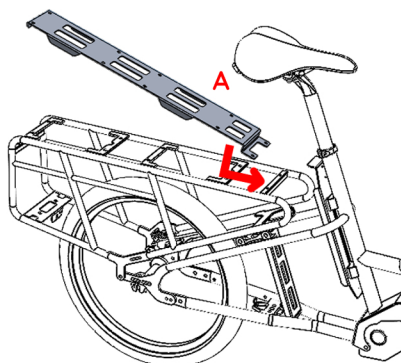
OTHER

8 pcs 5x20 screws
8 pcs washers
8 pcs nuts

1. Position Panel as shows A+B (75kg goes in front)
2. Position the 4 rear and front screws, washers and nuts
3. Position also central and rear screws and tighten all



REAR



In case of doubt contact your Veloe® retailer for a safe and comfortable ride

© veloe

more accessories at veloe.eu