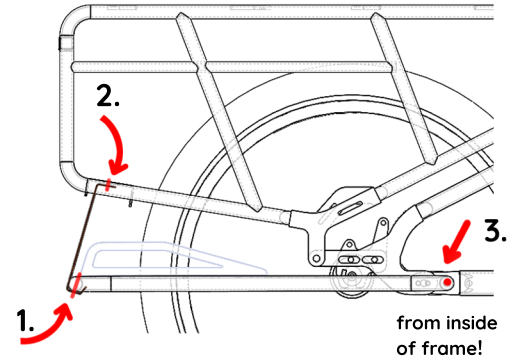
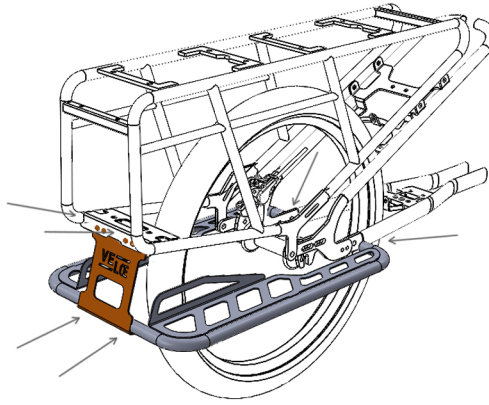
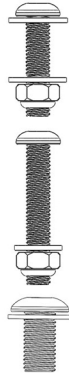


TOOLS: allen key no.3
allen key no.5
wrench no. 8

up
2 pcs 5 x 16 screws
4 pcs oversize washers
2 pcs nuts

down
2 pcs 5 x 30 screws
2 pcs washers
2 pcs nuts

side
2 pcs 8 x 12 screws
2 pcs washers



1. Fix and tighten **5x 30** nuts between adapter and foot rest tube;
2. couple with **5 x 16** washers the footrest to the frame;
3. last insert and tighten **8 x 12** screws on chain stays tubes, from the inside

In case of doubt contact your Veloe® retailer for a safe and comfortable ride

© veloe

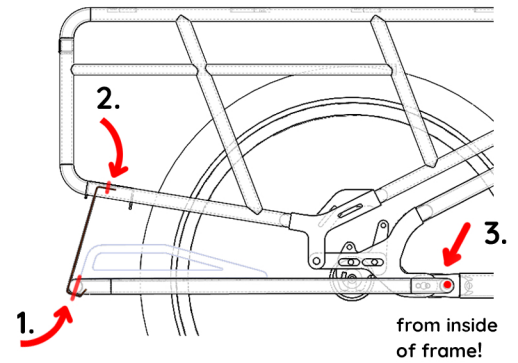
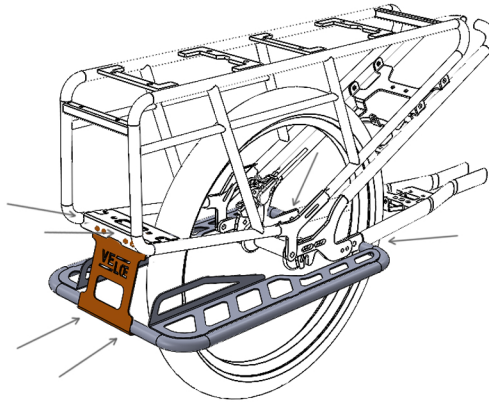
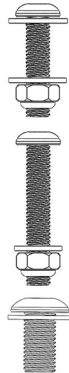
more accessories at veloe.eu

TOOLS: allen key no.3
allen key no.5
wrench no. 8

up
2 pcs 5 x 16 screws
4 pcs oversize washers
2 pcs nuts

down
2 pcs 5 x 30 screws
2 pcs washers
2 pcs nuts

side
2 pcs 8 x 12 screws
2 pcs washers



1. Fix and tighten **5x 30** nuts between adapter and foot rest tube;
2. couple with **5 x 16** washers the footrest to the frame;
3. last insert and tighten **8 x 12** screws on chain stays tubes, from the inside

In case of doubt contact your Veloe® retailer for a safe and comfortable ride

© veloe

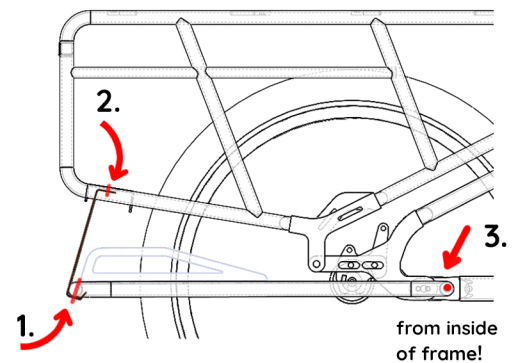
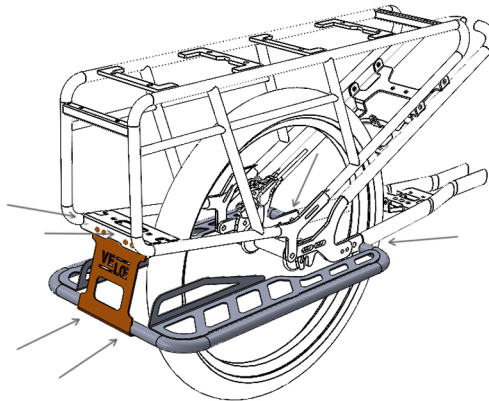
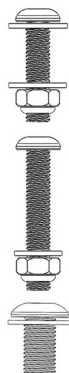
more accessories at veloe.eu

TOOLS: allen key no.3
allen key no.5
wrench no. 8

up
2 pcs 5 x 16 screws
4 pcs oversize washers
2 pcs nuts

down
2 pcs 5 x 30 screws
2 pcs washers
2 pcs nuts

side
2 pcs 8 x 12 screws
2 pcs washers



1. Fix and tighten **5x 30** nuts between adapter and foot rest tube;
2. couple with **5 x 16** washers the footrest to the frame;
3. last insert and tighten **8 x 12** screws on chain stays tubes, from the inside

In case of doubt contact your Veloe® retailer for a safe and comfortable ride

© veloe

more accessories at veloe.eu